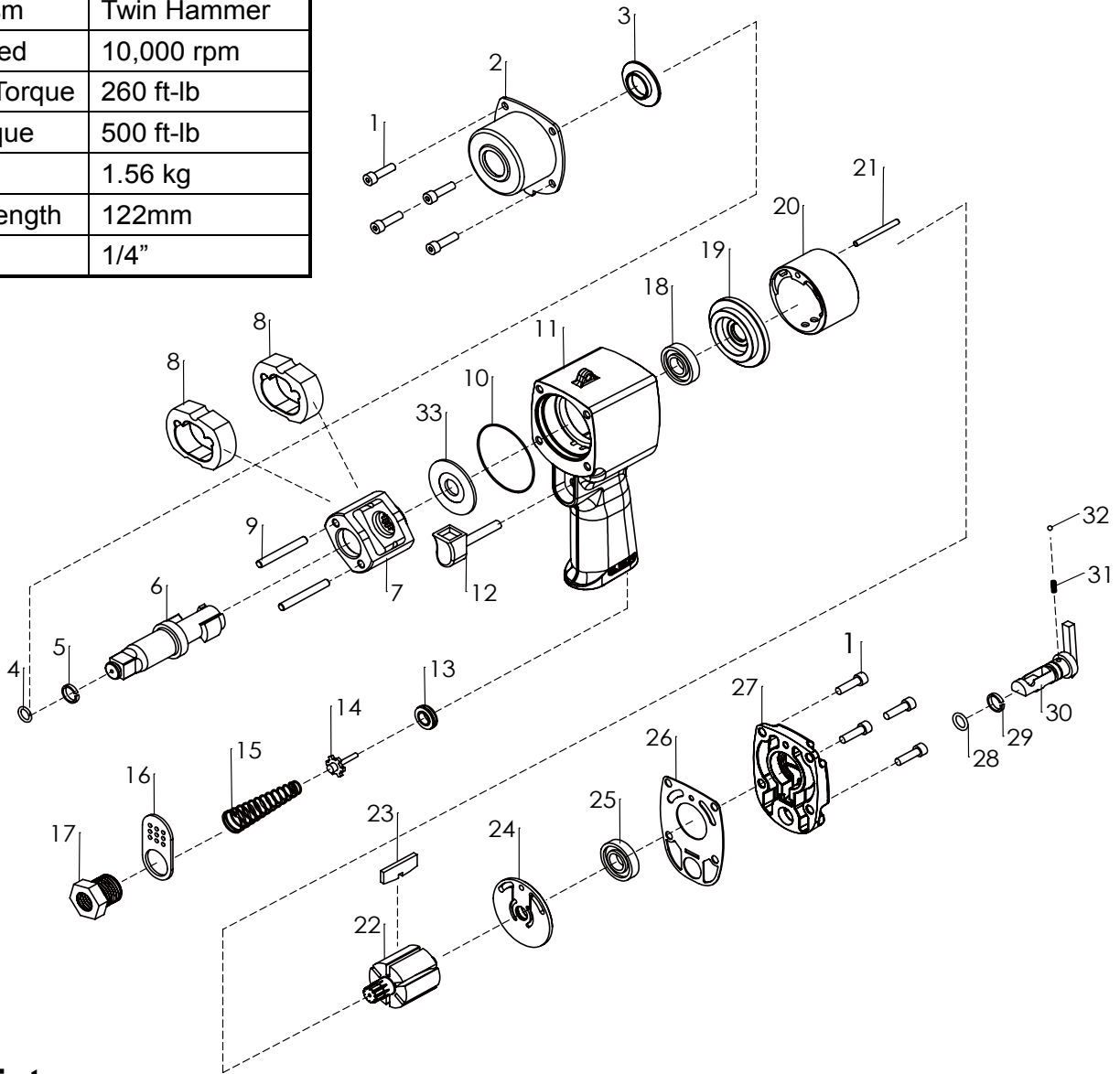


**Specifications**

|                |             |
|----------------|-------------|
| Square Drive   | 1/2"        |
| Mechanism      | Twin Hammer |
| Free Speed     | 10,000 rpm  |
| Working Torque | 260 ft-lb   |
| Max. Torque    | 500 ft-lb   |
| Weight         | 1.56 kg     |
| Overall Length | 122mm       |
| Air Inlet      | 1/4"        |

**Item No. ARX-1130B**

**1/2" Dr. Mini Air Impact Wrench**



**Part List**

| NO. | Parts name              | Q'ty | NO. | Parts name                    | Q'ty |
|-----|-------------------------|------|-----|-------------------------------|------|
| 1   | Socket Cap Screw Washer | 8    | 18  | Ball Bearing R8               | 1    |
| 2   | Hammer Housing          | 1    | 19  | Front End Plate               | 1    |
| 3   | Hammer Case Bushing     | 1    | 20  | Cylinder                      | 1    |
| 4   | Retainer Ring           | 1    | 21  | Dowel Liner                   | 1    |
| 5   | O-ring                  | 1    | 22  | Rotor                         | 1    |
| 6   | Drive Anvil             | 1    | 23  | Rotor Blade                   | 6    |
| 7   | Hammer Cage             | 1    | 24  | Rear End Plate                | 1    |
| 8   | Hammer Cam              | 2    | 25  | Ball Bearing R6               | 1    |
| 9   | Hammer Pin              | 2    | 26  | Motor Housing Gasket          | 1    |
| 10  | O-ring                  | 1    | 27  | Housing Cap                   | 1    |
| 11  | Housing                 | 1    | 28  | O-ring                        | 1    |
| 12  | Trigger                 | 1    | 29  | E-ring                        | 1    |
| 13  | Throttle Bushing        | 1    | 30  | Regulator Knob                | 1    |
| 14  | Throttle Valve          | 1    | 31  | Regulator Valve Detent Spring | 1    |
| 15  | Throttle Spring         | 1    | 32  | Regulator Valve Detent Ball   | 1    |
| 16  | Air Exhaust Deflector   | 1    | 33  | Thrust Plate                  | 1    |
| 17  | Air Inlet Bushing       | 1    |     |                               |      |